

Technical data sheet

Product features



Cooking range gas with electric static oven

Model	SAP Code	00014805
--------------	-----------------	----------



- Device type: Combined unit
- Power consumption of the zone 1 [kW]: 8,5
- Power consumption of the zone 2 [kW]: 8,5
- Power consumption of the zone 3 [kW]: 4
- Power consumption of the zone 4 [kW]: 8,5
- Power consumption of the zone 5 [kW]: 8,5
- Power consumption of the zone 6 [kW]: 4
- Ignition: Eternal flame
- Type of internal part of the appliance 1 (eg oven): Electric
- Type of internal part of the appliance 2 (eg oven): Static
- Material: AISI 304 top plate and cladding

SAP Code	00014805	Number of zones	6
Net Width [mm]	1200	Power consumption of the zone 1 [kW]	8,5
Net Depth [mm]	730	Power consumption of the zone 2 [kW]	8,5
Net Height [mm]	900	Power consumption of the zone 3 [kW]	4
Net Weight [kg]	150.00	Power consumption of the zone 4 [kW]	8,5
Power electric [kW]	8.700	Power consumption of the zone 5 [kW]	8,5
Loading	400 V / 3N - 50 Hz	Power consumption of the zone 6 [kW]	4
Power gas [kW]	42.000	Type of internal part of the appliance 1 (eg oven)	Electric
Type of gas	Natural gas, propane butane	Type of internal part of the appliance 2 (eg oven)	Static

Technical data sheet

Technical drawing

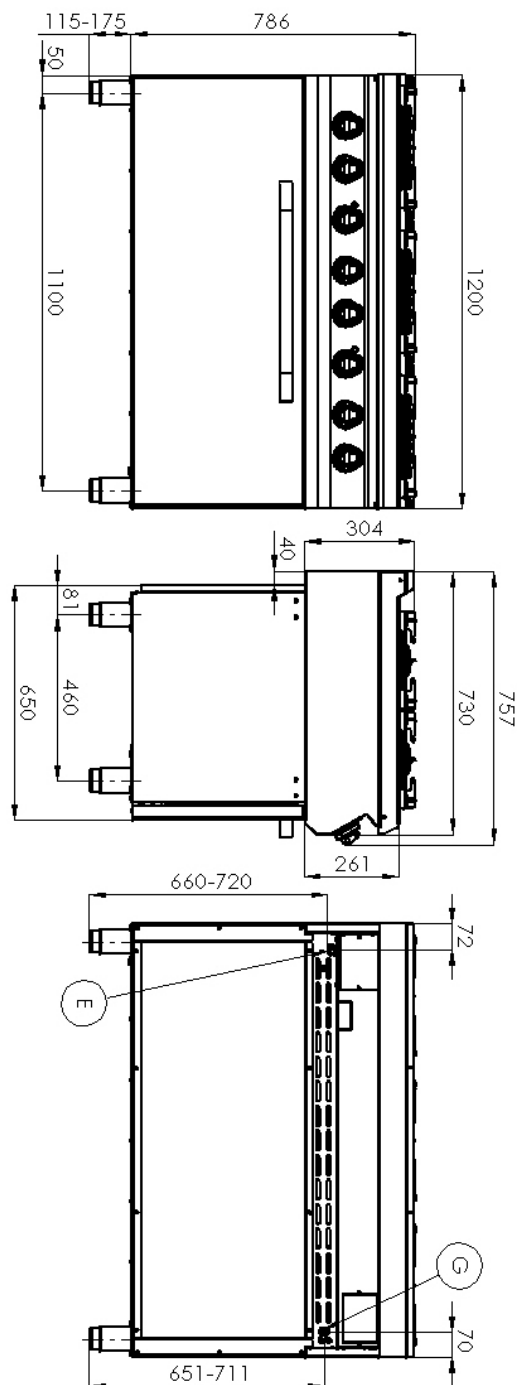


Cooking range gas with electric static oven

Model

SAP Code

00014805



Technical data sheet

Technical parameters



Cooking range gas with electric static oven

Model

SAP Code

00014805

1. SAP Code:

00014805

2. Net Width [mm]:

1200

3. Net Depth [mm]:

730

4. Net Height [mm]:

900

5. Net Weight [kg]:

150.00

6. Gross Width [mm]:

1260

7. Gross depth [mm]:

820

8. Gross Height [mm]:

1080

9. Gross Weight [kg]:

166.00

10. Device type:

Combined unit

11. Construction type of device:

Stationary

12. Power electric [kW]:

8.700

13. Loading:

400 V / 3N - 50 Hz

14. Power gas [kW]:

42.000

15. Ignition:

Eternal flame

16. Type of gas:

Natural gas, propane butane

17. Exterior color of the device:

Stainless steel

18. Material:

AISI 304 top plate and cladding

19. Worktop type:

Molded - comfortable cleaning maintenance

20. Worktop material:

AISI 304

21. Worktop Thickness [mm]:

1.50

22. Number of zones:

6

23. Power consumption of the zone 1 [kW]:

8,5

24. Power consumption of the zone 2 [kW]:

8,5

25. Power consumption of the zone 3 [kW]:

4

26. Power consumption of the zone 4 [kW]:

8,5

27. Power consumption of the zone 5 [kW]:

8,5

28. Power consumption of the zone 6 [kW]:

4

Technical data sheet

Technical parameters



Cooking range gas with electric static oven

Model

SAP Code

00014805

29. Maximum device temperature [°C]:

300

30. Minimum device temperature [°C]:

50

31. Grid material:

Cast iron

32. Service accessibility:

Trough the frontal panel

33. Safety thermocouple:

Yes

34. Adjustable feet:

Yes

35. Number of burners/hot plates:

6

36. Type of gas cooking zones:

Powerfull

37. Burner type:

Brass, detachable

38. Oven Type:

electrical static

39. Oven power electric [kW]:

8,70

40. Oven size:

GN 3x 1/1

41. Type of internal part of the appliance 1 (eg oven):

Electric

42. Type of internal part of the appliance 2 (eg oven):

Static

43. Gasket:

Yes

44. Maximum temperature of the inner chamber [°C]:

300

45. Minimum temperature of the inner chamber [°C]:

50

46. Connection to a ball valve:

1/2

47. Cross-section of conductors CU [mm²]:

1,5

- Výkon (kW): 5-5,7 (230 V); 8,7-9,8 (400 V)